



THE KING'S AWARDS FOR ENTERPRISE



2024

INNOVATION

Measur^{3D}



Product
Catalogue

2026





Creating Innovative Metrology Solutions



Aberlink Ltd is the largest UK-owned manufacturer of coordinate measuring machines, vision measuring systems and measurement software.

From our headquarters in Eastcombe, Gloucestershire, England we are engaged in every aspect of providing industry with innovative metrology products that are reliable, cost effective and above all easy to use. Through our distributor network in over 40 countries worldwide we provide all sectors of manufacturing with world class sales and aftercare service.

Incorporated in 1993, Aberlink has an impressive record of growth founded on innovation. This has been the background for all our patented product development, with the tagline 'Innovative Metrology' firmly at the heart of company philosophy.

Aberlink always view things from a customer perspective and our revolutionary Aberlink 3D measurement software has become the industry standard for ease of use. It is not only intuitive and simple to learn, but also extremely powerful and is ideal for either the occasional user or metrology professional alike.

Our products and services provide customers with remarkable value for money. This has been achieved by producing a fully self-contained business model from day one. Because we manufacture all the components for the machines ourselves, we understand the manufacturing process fully, and clever design-for-manufacture ensures simple and reliable products with no redundant costs. All assembly of the machines is performed on-site in Gloucestershire, where the software is also written in-house. We are a fully integrated company with minimal external costs and that is why we are able to offer the amazing value for which Aberlink has become renowned throughout the world.

With more than 30 years of experience in the metrology sector, we continuously strive to innovate. Our powerful Aberlink measurement software is used by over 15,000 users daily with customers in more than 40 countries worldwide. We are committed to growing and providing you, our customers, with an affordable measurement solution designed by engineers, for engineers.

Visit our website www.aberlink.com to find your local demonstration facility.

reliable, intelligent, affordable
measurement solutions for manufacturing



CONTENTS

Measur3D Shop Floor Manual CMM	4
Extol Delta Structure Shop Floor CNC CMM	6
Axiom Bridge Type Manual or CNC CMM	8
Halo Large Belt Drive CNC CMM	10
Horizon Large High Spec Linear Drive CNC CMM	12
Azimuth Large Bridge Type CNC CMM	14
Project X Manual or CNC 2D Vision Measuring Machine	16
Visual Inspection Camera & Vision Accessories	18
Probe Options Common Probe & Probe Head Options	20
Aberlink 3D & Vision Module Revolutionary 3D Measurement Software	22
CAD Software Modules CAD Comparison and Programming from CAD	24
Accessories CMM Accessories and Machine Options	26



AWARD WINNING CMMs

The Extol CMM, winner of the
2024 Kings Award for Innovation

Measur3D

REVOLUTIONARY MANUAL CMM

The Measur3D is a revolutionary manual CMM. By using three rotary axis, Aberlink have created a compact and portable CMM design enabling it to be used where it is needed, on the shop floor, near your machine tools.

The Measur3D has been designed to optimize inspection as parts come off the machine tool, one op at a time. It gives immediate feed back to the machining process (manual tool offset correction), before final inspection, minimising scrap and rework costs.

Only needing a single-phase electricity supply (no compressed air), you can plug it in where you need to use it. A simple user interface has been developed for Aberlink measurement software, making it even easier to use on the Measur3D CMM, while retaining full functionality. After manually measuring the part, using 'touch mode' or 'constant contact scanning mode', critical features are automatically recognized, and dimensions automatically displayed. No other manual CMM can scan a part as quickly and easily as the Measur3D – It couldn't be easier!

Intuitive easy-to-use software and innovative mechanical design means you'll be measuring your parts within minutes of switching on the Measur3D machine, even with no prior CMM experience. With 5-micron volumetric accuracy, thanks to 40-nanometre resolution encoders, you can trust the inspection results. The extensive use of carbon fibre through the design also means it is able to cope with changing air temperature and maintain excellent metrology performance.

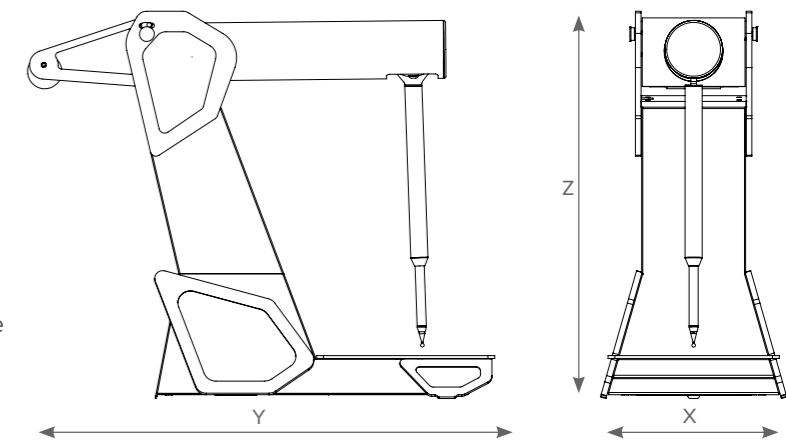
After Aberlink's 30 years of innovative metrology, we've gone back to our roots and created the perfect manual CMM for the first-time buyer, or to expand CMM inspection capacity on the shop floor.

Aberlink does not charge for CMM software updates or software maintenance contracts; We don't take advantage of our customers so the ongoing cost of ownership can be nothing (however we recommend and charge for an annual calibration).



Technical Information:

Axis Travel (mm)	X 280 Y 280 Z 150	} Minimum*
Overall Size (mm)	X 335 Y 830 Z 725	
Volumetric Accuracy:	(5.0µm + L/1000mm)	
Scale Resolution:	1.15µrad	
Optimum Temp Range:	18 - 22°C **	
Operational Temp Range:	5 - 45°C	

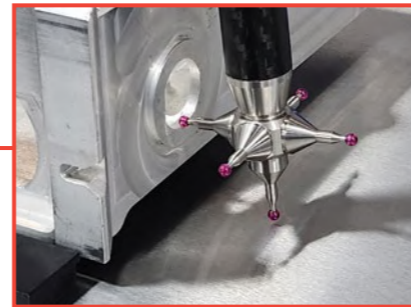


Key Features:

- Compact portable design
- 3A electrical power supply, no air.
- Rugged shop-floor manual CMM
- Aberlink's easy-to-use manual CMM Software
- Continual scanning for size and form measurement
- Accurate to less than 5 microns anywhere in the measuring range
- **Free software upgrades** - no maintenance fees or contracts

*Minimum measuring range specified because the usable volume isn't cubic

**The machine should not be positioned where it will be subjected to rapid changes in temperature. Max rate of ambient temperature change should not be more than 1°C/hour.



The Measur3D can be supplied with our bespoke star stylus kit. The star stylus enables you to measure cylindrical (turned) parts when they are mounted horizontally and ensures excellent metrology performance and accessibility to features (i.e. circle diameters) measured in the X-Z or Y-Z projection planes.

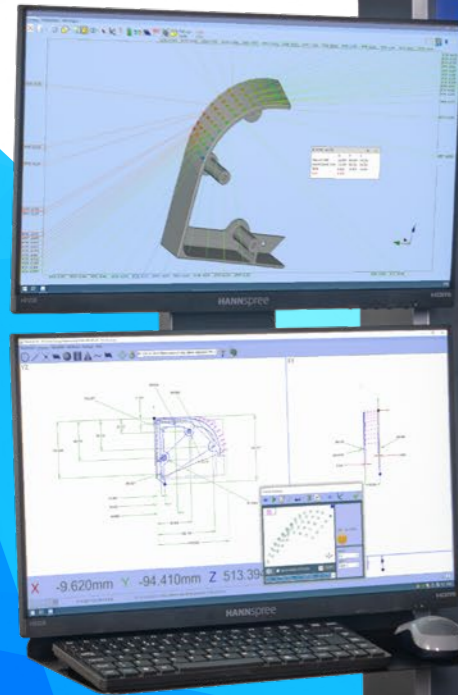
The star stylus kit includes the calibration artefact, 3mm star stylus and a 6mm star stylus. Other bespoke star styli are available if required.

Measur3D bench and computer mount available as an optional extra

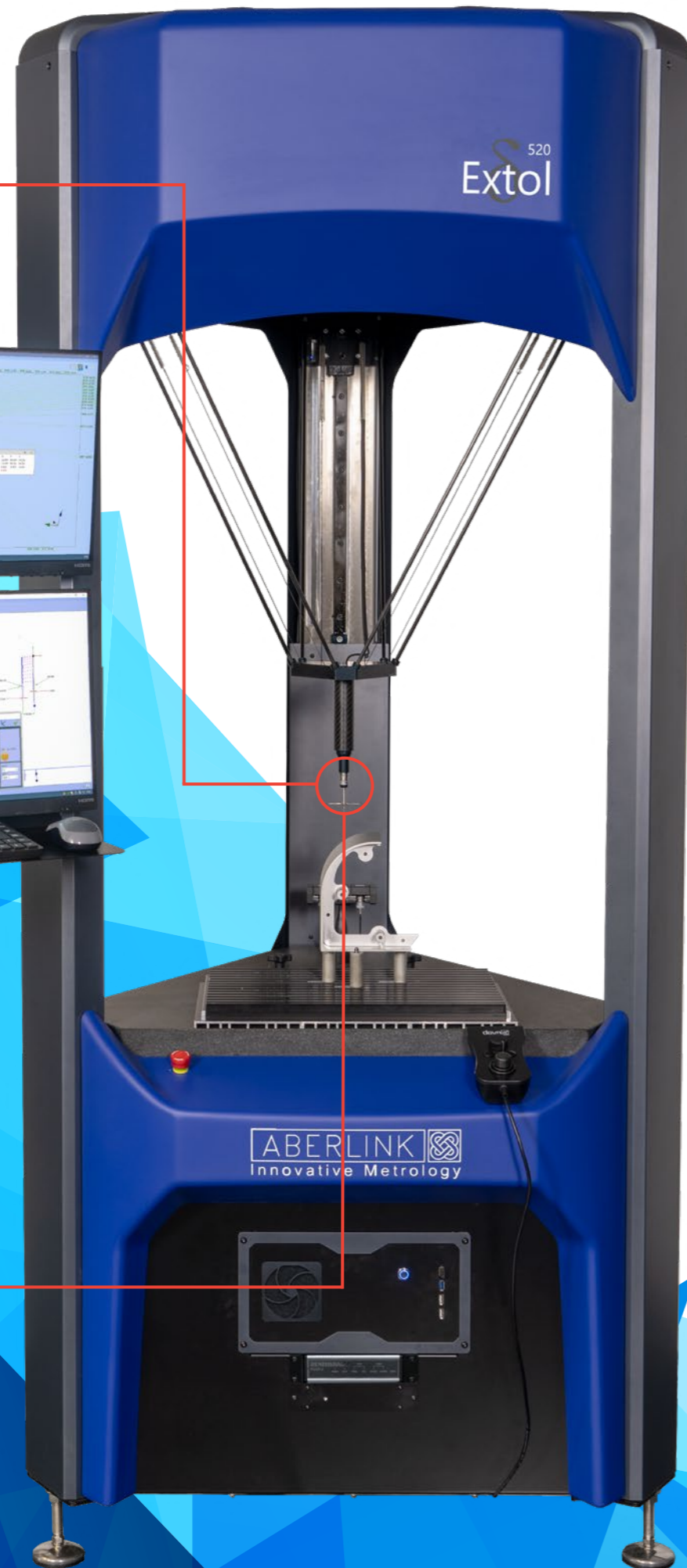




TP200B Probe upgrade, ideal for high volume & high accuracy applications



SP25M scanning module, now available on both Extol sizes



Extol



CMM ACCURACY WHEREVER YOU NEED IT

Winner of the 2024 Kings award for innovation, the Extol is the world's first CMM to utilise a delta mechanism. Designed for robustness and reliability, the Extol CMM will run around the clock making it ideal whether it is positioned next to a machine tool, in a manufacturing cell, or used in a dedicated inspection area.

Five temperature sensors monitoring both the machine and ambient temperature ensure that the Extol is capable of operating in uncontrolled environments and reporting measurements as though they had been taken at 20°C. The software will also produce a warning should the temperature change at a rate that is not conducive with reasonable metrology practice.

The Automatic Tool Offset Correction available with the Aberlink 3D software compliments the attributes of the Extol perfectly, allowing utilisation as part of a fully automated production process in the midst of a manufacturing environment.

The ergonomics of the Extol have also been a significant design factor. It is quick and easy to perform one-off inspections, while also having ample access for either batch inspection or to facilitate automatic loading. With the largest measuring volume to footprint area of any CMM, the Extol can be positioned exactly where inspection is needed.

Robust, accurate and reliable, the Extol CMM is the perfect solution to automatically verify part quality for critical components.

Key Features:

- No compressed air required - the Extol is 'plug and go'
- Built-in temperature control - accuracy is maintained even when ambient temperature is not controlled
- Automation and automatic tool offset compensation options mean that the Extol is ideally suited for automated manufacturing cells
- Fully sealed recirculating bearings that improve smoothness and dirt immunity
- The Extol's direct drive belts eliminate the need for a gearbox and any associated backlash issues
- Aberlink's revolutionary easy-to-use measurement software
- **Free software upgrades** - no maintenance fees or contracts

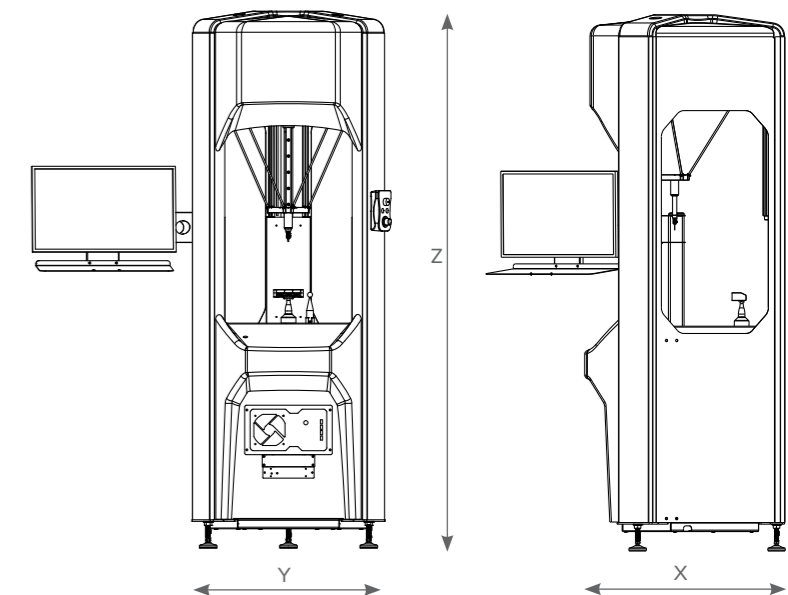
Machine Options:

- Dual monitors, ideal for use with CAD software options and can be positioned on either side of the machine.
- TP20 probe offers robust measurement solution
- TP200B Probe upgrade available where high volume or high accuracy solutions are required
- 3 or 6-Port change racks available for both TP20 & TP200 options. (6-Port recommended for Extol 520 only)
- Fixturing kit provides a flexible solution for locating components to be measured



Technical Information:

Model:	Extol 370	Extol 520
Axis Travel (mm)	XY 370	XY 520
Cylindrical	Z 270	Z 300
At Centre	Z 365	Z 400
Overall Size (mm)	X 730 Y 715 Z 2000	X 990 Y 950 Z 2200
Overall Size (mm) with monitor arm	X 1000 Y 1030 Z 2000	X 1180 Y 1320 Z 2200
Volumetric Accuracy:	TP20 (2.6µm + L/250mm) TP200 (2.5µm + L/250mm) SP25M (2.3µm + L/250mm)	TP20 (2.6µm + L/250mm) TP200 (2.5µm + L/250mm) SP25M (2.3µm + L/250mm)
Scale Resolution:	0.1µm	0.1µm
Operational Temp Range:	5 - 45°C *	5 - 45°C *
Table:	Granite plate	Granite plate
Max. Velocity Vector:	500mm/sec	500mm/sec
Max. Acceleration Vector:	750mm/sec ²	750mm/sec ²
Air Consumption:	None	None
Required Air Pressure:	Not required	Not required



*The machine should not be positioned where it will be subjected to rapid changes in temperature. Max rate of ambient temperature change should not be more than 1°C/hour.

Axiom

THE BEST SELLING ABERLINK CMM JUST GOT EVEN BETTER

The Axiom too has been Aberlink's best-selling range of CMM with thousands of machines sold around the world since 2004.

The brand-new Axiom is the latest evolution of this well respected CMM. Employing a stiffer bridge design, incorporating a wider air bearing separation, means the latest Axiom has further improved on what was already a great package. Being faster, more accurate, and just as reliable, this improved Axiom is set to continue being the CMM of choice in it's target market. With three different measuring volumes available utilising Y-axis travels up to 1200 millimetres, there is an Axiom to suit every small to mid size application.

The all aluminium beam structure not only ensures that the Axiom has low inertia resulting in high acceleration to get the job done quickly, but also that the temperature of the beam rapidly follows the temperature of the room, ideal when the CMM is not housed in a controlled environment. Temperature compensation in the software reports results as if they had been measured at 20°C/68°F

The standard high-tech granite and aluminium table, originally developed for the optics industry, provides fantastic natural damping of high frequency vibration and the granite Y rail allows pre-loading of the bridge air bearings in both directions for superior accuracy.

Available as either a manual machine or with full CNC control.

Key Features:

- Shortest learning curve of any equivalent system
- Smallest overall footprint of any comparable size CMM
- Choice of Y axis sizes ranging from 600mm to 1200mm
- Suitable for the workshop environment
- Protection from environmental vibrations as standard
- Optimized friction free air bearings, aluminium bridge and granite table
- **Free software upgrades** - no maintenance fees or contracts

Common Probe Options:

- MH20i
- RTP20
- PH10T (w/TP20, TP200)
- PH10M (w/SP25)
- PH6M (w/SP25)

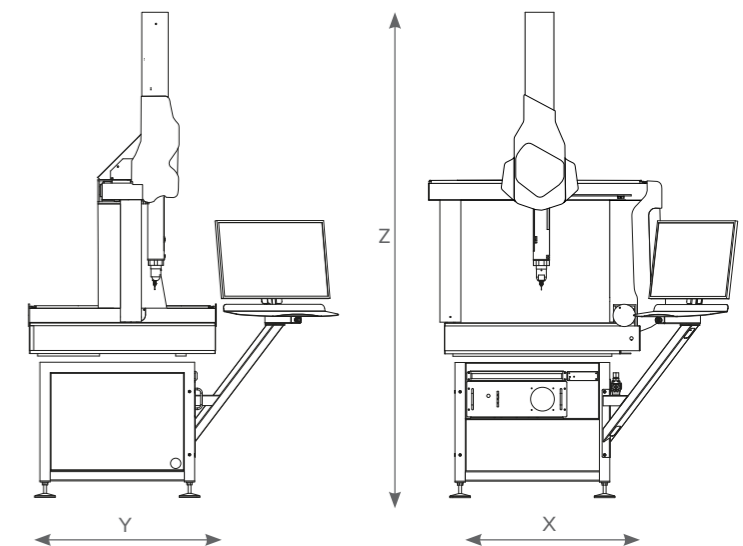
Machine Options:

- Auto Temperature Compensation
- Touch Screen Joystick
- CCD Camera System
- Collimated Back Light Option
- Dual Monitor
- Fixture Kit



Technical Information:

Axis Travel (mm)	X 640 Y 600, 900, 1200 Z 500
Overall Size (mm)	X 1040 Y 900, 1200, 1500 Z 2320
Volumetric Accuracy:	TP20 (2.1 µm + L/250 mm) * TP200 (2.0 µm + L/250 mm) * SP25M (1.8 µm + L/250 mm) *
Scale Resolution:	0.1µm
Optimum Temp Range:	18 - 22°C **
Operational Temp Range:	5 - 45°C
Table:	Honeycomb aluminium & granite or solid granite
Table Load Capacity:	300kg (Honeycomb) or 500kg (Solid)
Max. Velocity Vector:	850mm/sec
Max. Acceleration Vector:	850mm/sec ²
Air Consumption:	100 l/min (3.53 cfm)
Required Air Pressure:	7 bar (100 psi)

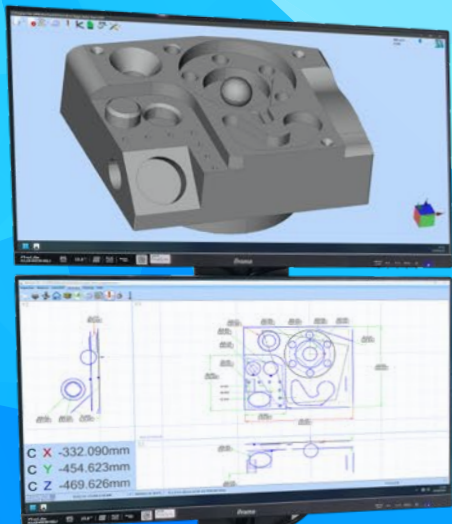


*Maximum Permissible Error MPE_z according to 10360-2, 2009 within the thermal limits defined for optimum temperature range.

**Installation environment thermal limits:
Rate of change <1°C/hr and <2°C/24hr | Temperature gradient <1°C/m



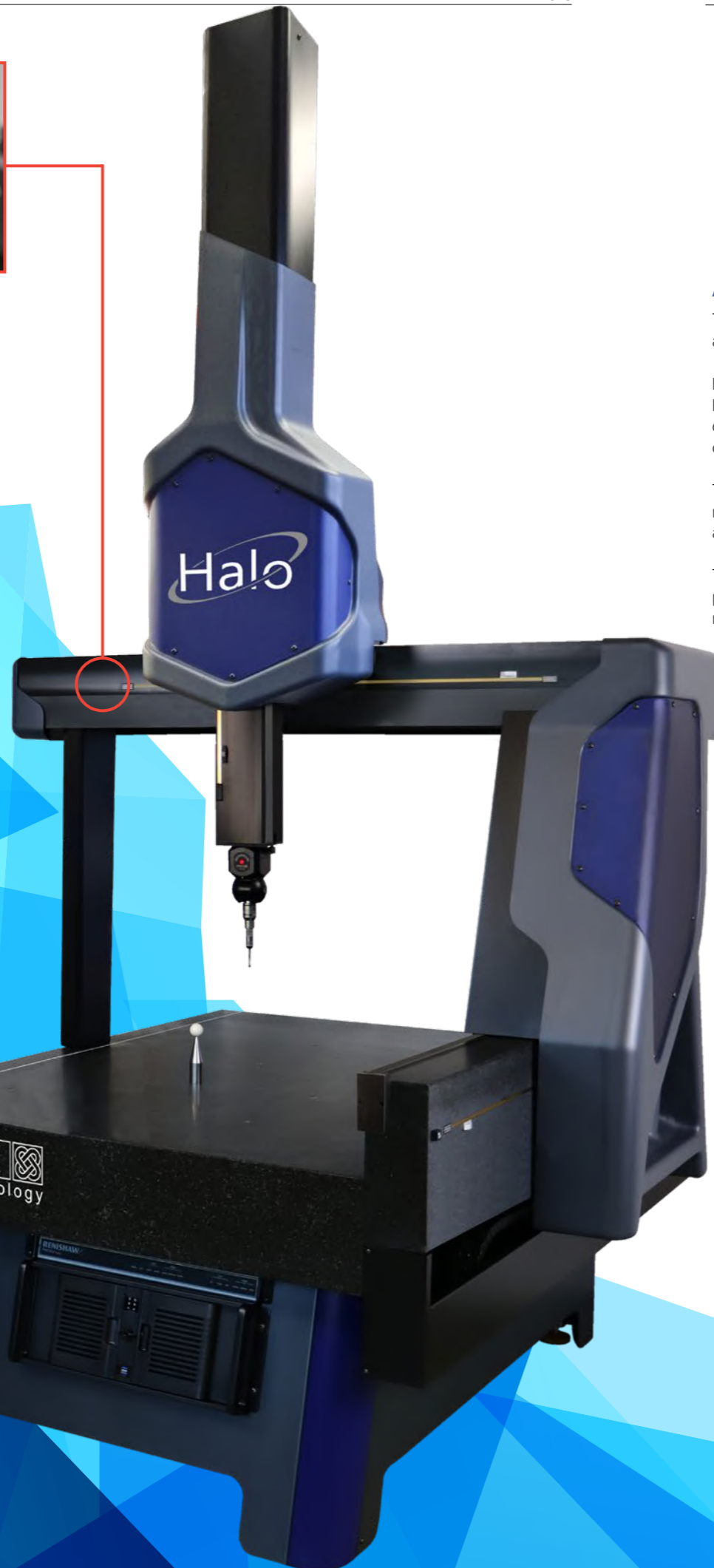
Available with solid granite table if loads are over 300kg



†Dual monitor arm optional extra



The Halo belt drive system is an evolution of the popular Axiom range of CMMs. It provides a cost effective, repeatable and robust drive system to suit medium sized measurement tasks.



Halo

AFFORDABLE LARGE PRECISION MEASUREMENT

The Halo CNC CMM has the same structural design as our most accurate CMM, the Horizon.

By using a belt drive system for the X-Y-Z axis movement, the Halo CMM is the perfect mid-sized CMM for use in an inspection department or on the shop floor. The price is also extremely competitive when compared to other international CMM brands.

The Halo CNC CMM is a stand-out machine with fast, smooth motion, ideally suited to contact scanning that has a first-term accuracy of better than 1.8 microns!

The belt-drive system on the Halo CMM has been designed to provide perfectly smooth machine motion. It provides unrivalled reliability and durability.

Key Features:

- Belt drives offer an affordable entry point for large scale inspection
- Drives applied through the centre of gravity improves both speed and accuracy.
- Choice of four different X-Y-Z travel options
- Smooth motion allows for fast and accurate contact scanning.
- Automatic temperature compensation ensures that measurement results are reported as if they had been measured at 20°C
- **Free software upgrades** - no maintenance fees or contracts

Common Probe Options:

- RTP20
- PH10T (w/TP20, TP200)
- PH10M (w/SP25)
- PH6M (w/SP25)
- PH20

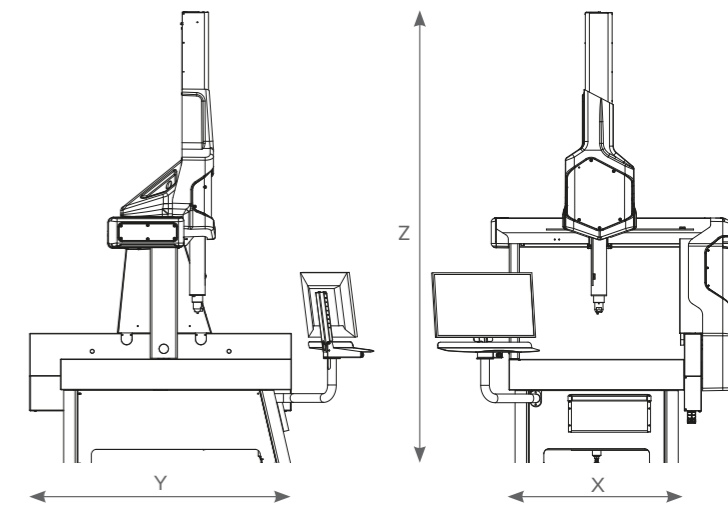
Machine Options:

- Auto Temperature Compensation
- CCD Camera System
- Collimated Back Light Option
- Dual Monitor
- Fixture Kit



Technical Information:

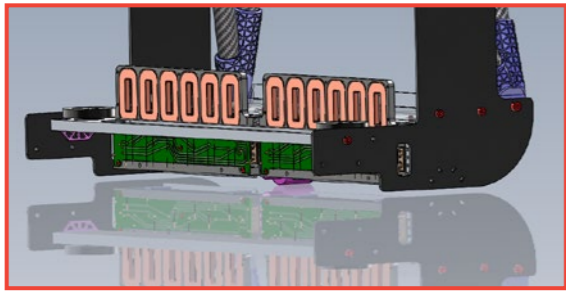
Model	Halo	Halo L
Axis Travel (mm)	X 800 Y 1000, 1600 Z 600	X 1000 Y 1200, 2000 Z 800
Overall Size (mm)	X 1403 Y 1530, 2130 Z 2503	X 1603 Y 1830, 2630 Z 2987, 3037
Volumetric Accuracy:	TP20 (2.1 μm + L/250 mm) * TP200 (2.0 μm + L/250 mm) * SP25M (1.8 μm + L/250 mm) *	
Scale Resolution:	0.1 μm	
Optimum Temp Range:	18 - 22°C **	
Operational Temp Range:	5 - 45°C	
Table:	Granite	
Table Load Capacity:	1000kg as standard.	
Max. Velocity Vector:	1000mm/sec	
Max. Acceleration Vector:	1000mm/sec ²	
Air Consumption:	100 l/min (3.53 cfm)	
Required Air Pressure:	7 bar (100 psi)	



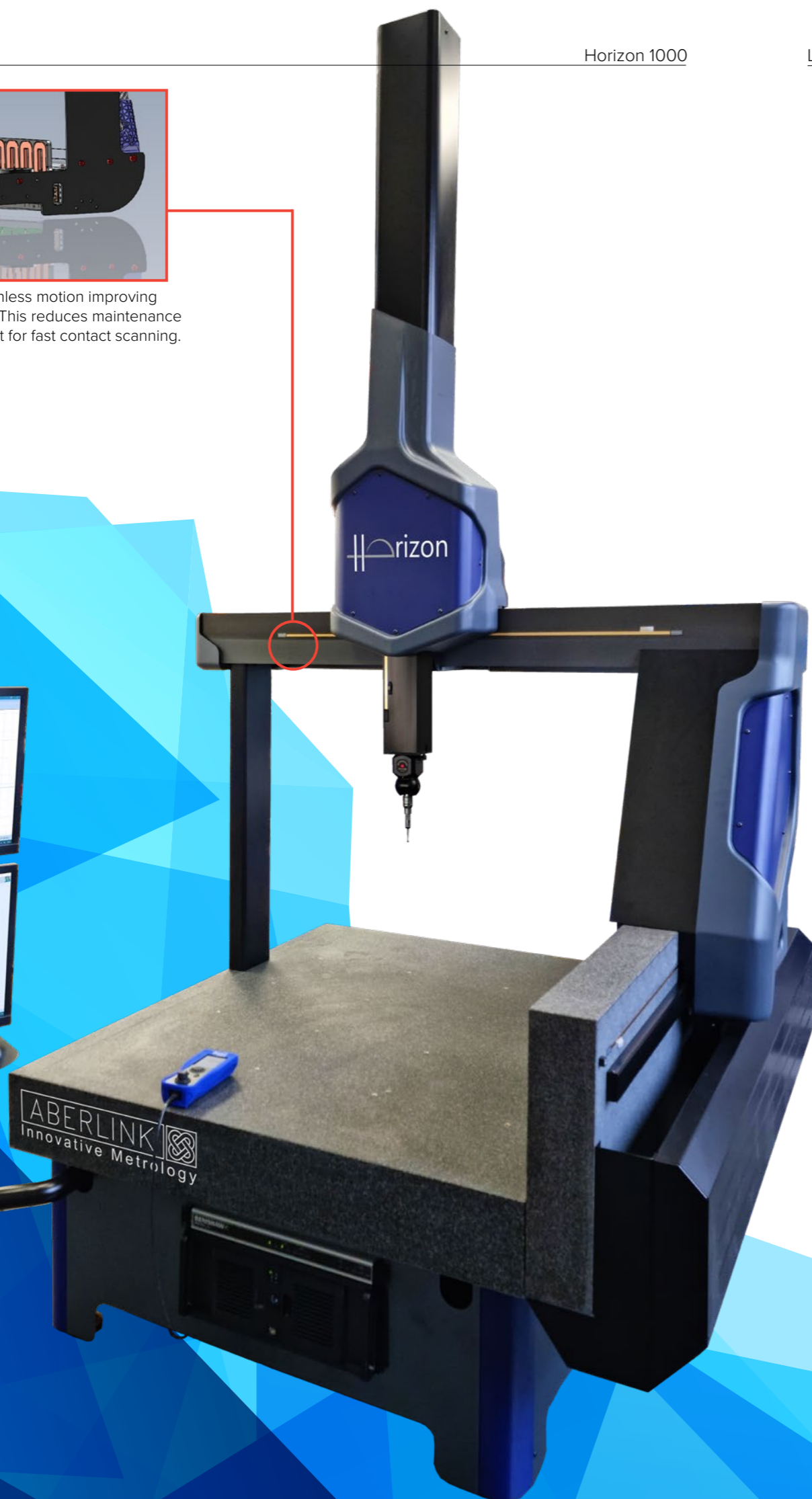
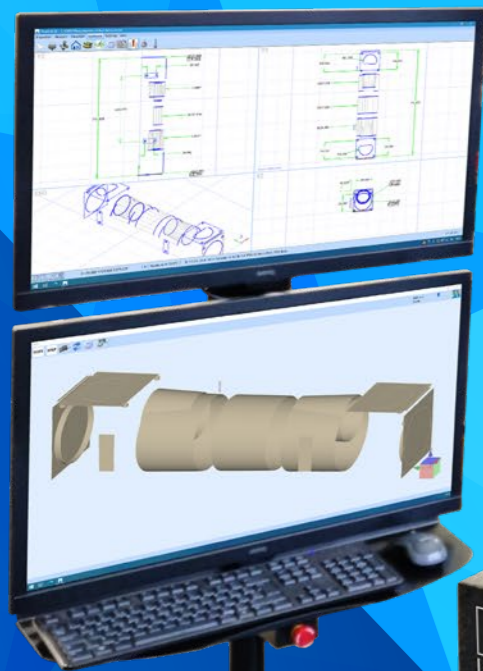
*Maximum Permissible Error MPE_E according to 10360-2, 2009 within the thermal limits defined for optimum temperature range.

**Installation environment thermal limits:
Rate of change <1°C/hr and <2°C/24hr | Temperature gradient <1°C/m





Linear drives produce a frictionless motion improving both metrology and reliability. This reduces maintenance and makes the Horizon perfect for fast contact scanning.



Horizon

STARTING THE LINEAR DRIVE REVOLUTION

The Horizon CMM breaks new ground in design and innovation using frictionless linear drives, which are the key to its fast and exceptionally smooth motion.

The granite table and granite Y-axis rail has been designed to take full advantage of the natural thermal density of this remarkable material. The Y-axis linear drive system has been positioned away from the Y-axis linear encoder so that the heat generated by the linear drive is absorbed by the granite without affecting metrology performance.

Drawing upon the tremendous success of the Horizon, the Horizon L has a larger X-Y-Z axis travel whilst utilising the same frictionless linear drives.

The entire design of the Horizon L has been optimised to take full advantage of parts already used on the Horizon whilst improving the stiffness-to-weight ratio across the bridge assembly.

The Y-axis rail is 200mm taller so that the same right-hand-side linear drive system is common and improves rigidity; the carriage assembly has reduced in size and weight, without compromising metrology performance, to improve the stiffness-to-weight ratio; the Z-axis motor has increased power to optimise its performance; the left-hand-side air bearing assembly has a custom extruded profile to keep weight to an absolute minimum and maintain stiffness.

Key Features:

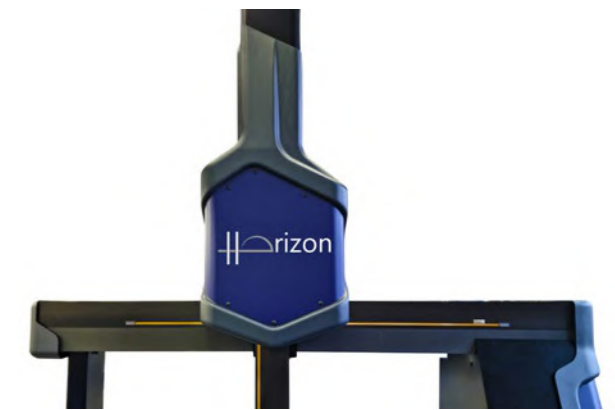
- Linear motors offer frictionless, smooth, silent motion.
- No wearing parts means greater reliability and reduced maintenance.
- Drives applied through the centre of gravity improves both speed and accuracy.
- Thermal isolation of linear motors from the metrology structure avoids thermally induced metrology errors.
- Smooth motion allows for fast and accurate contact scanning.
- The most accurate machine in the Aberlink range. First term volumetric error specification under $2\mu\text{m}$
- Automatic temperature compensation ensures that measurement results are reported as if they had been measured at 20°C
- **Free software upgrades** - no maintenance fees or contracts

Common Probe Options:

- RTP20
- PH10T (w/TP20, TP200)
- PH10M (w/SP25)
- PH6M (w/SP25)

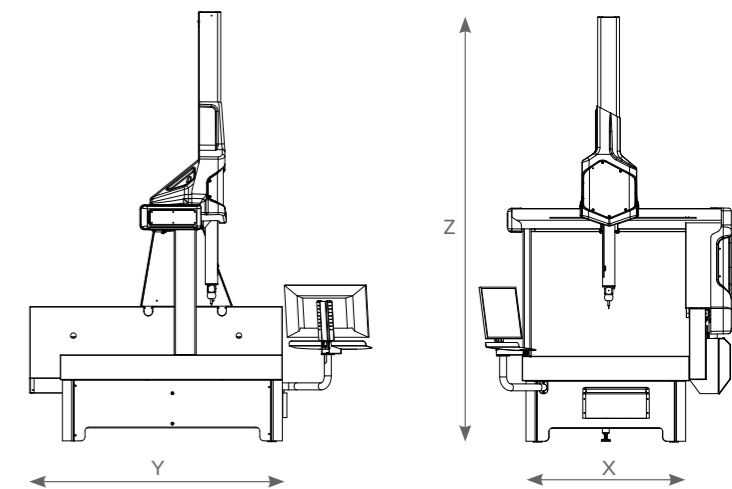
Machine Options:

- Auto Temperature Compensation
- CCD Camera System
- Collimated Back Light Option
- Dual Monitor
- Fixture Kit



Technical Information:

Model	Horizon	Horizon L
Axis Travel (mm)	X 800 Y 1000, 1600 Z 600	X 1000 Y 1200, 2000 Z 800
Overall Size (mm)	X 1403 Y 1530, 2130 Z 2700	X 1603 Y 1830, 2630 Z 3110, 3160
Volumetric Accuracy:	TP20 (1.8 μm + L/350 mm) * TP200 (1.7 μm + L/350 mm) * SP25M (1.5 μm + L/350 mm) *	
Scale Resolution:	0.1 μm	
Optimum Temp Range:	18 - 22°C **	
Operational Temp Range:	5 - 45°C	
Table:	Granite	
Table Load Capacity:	1000kg as standard.	
Max. Velocity Vector:	1000mm/sec	
Max. Acceleration Vector:	1000mm/sec ²	
Air Consumption:	100 l/min (3.53 cfm)	
Required Air Pressure:	7 bar (100 psi)	



*Maximum Permissible Error MPE_z according to 10360-2, 2009 within the thermal limits defined for optimum temperature range.

**Installation environment thermal limits:
Rate of change $<1^\circ\text{C/hr}$ and $<2^\circ\text{C/24hr}$ | Temperature gradient $<1^\circ\text{C/m}$



Azimuth

FROM STRENGTH TO STRENGTH

As CMMs get larger, it is not simply a case of scaling up the design of smaller models. Stiffness of the structure is critical, but weight must also be kept to a minimum. The Azimuth CMM is not only Aberlink's largest in their range of CMM products, but it is the culmination of over thirty years experience and excellence in the design and manufacture of innovative metrology equipment incorporating the very latest materials technology.

The revolutionary bridge of the Azimuth incorporates aluminium honeycomb sheets developed for use in formula one and the aerospace industry. The remarkable stiffness to weight ratio that this provides gives the Azimuth an edge in both performance and speed. For a machine of this size, the Azimuth is not only fast, but extremely accurate.

The drive systems designed for the Azimuth offer simplicity and reliability and the novel system used on the Y axis ensures that there is no degradation of performance across the full range of machine sizes offered up to 3m.

A big machine should also be able to measure a heavy component, this is another area where Aberlink has applied innovative thinking. Rather than simply increasing the depth of the granite table, which adds huge cost and weight to the machine, we offer a specially designed load plate to sit on the granite base. This plate can accept up to a six tonne load which will then be transmitted directly through the feet of the machine bench directly to the floor, meaning no loss of metrology performance.

Key Features:

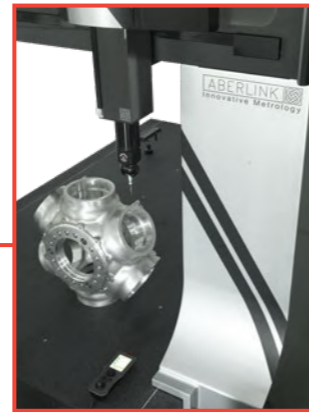
- Capable of measuring parts up to 6000kg in weight
- Fitted with 0.0001mm linear encoders for superior accuracy
- Unique self-contained drive system ensures excellent performance over the entire measuring volume
- Choice of Y axis sizes ranging from 2000mm to 3000mm
- Supplied with the CMM touch screen joystick as standard
- **Free software upgrades** - no maintenance fees or contracts

Common Probe Options:

- PH10T (w/TP20, TP200)
- PH10M (w/SP25)
- PH6M (w/SP25)

Machine Options:

- Load plate for loads up to 6 tonnes
- Auto Temperature Compensation
- CCD Camera System
- Collimated Back Light Option
- Dual Monitor
- Fixture Kit

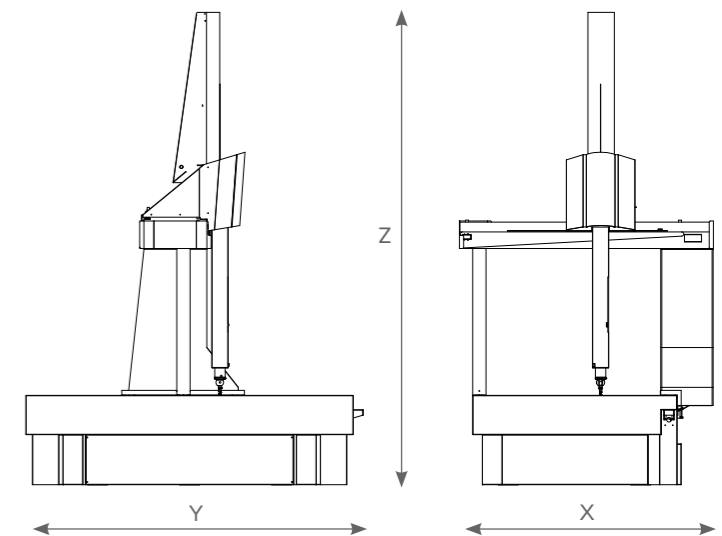


State of the art design ensures maximum stiffness for both greater speed and higher accuracy



Technical Information:

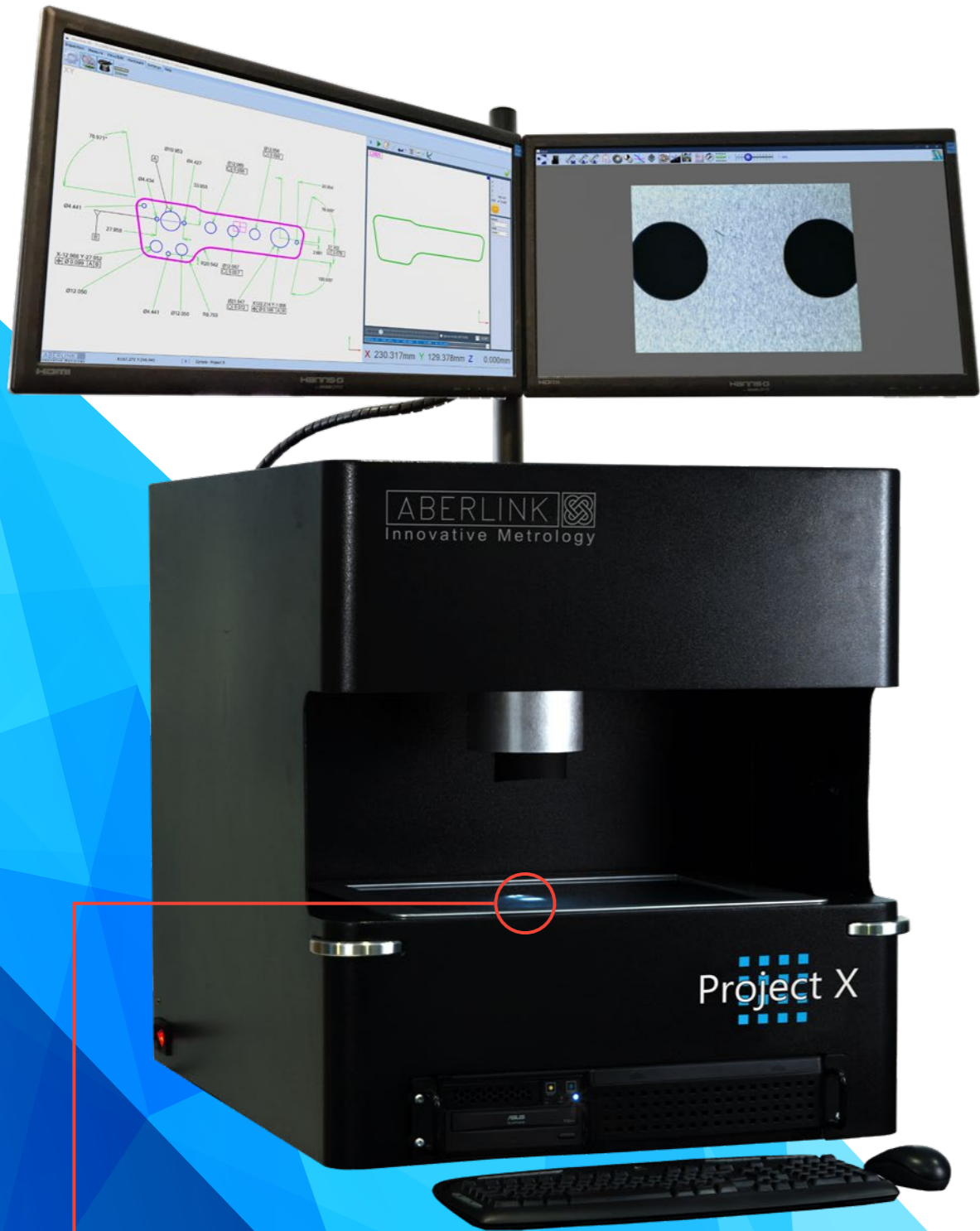
Axis Travel (mm)	X 1200 Y 2000, 3000 Z 1000
Overall Size (mm)	X 1940 Y 3000, 4000 Z 3595
Volumetric Accuracy:	TP20 (2.9 µm + L/250 mm) * TP200 (2.8 µm + L/250 mm) * SP25M (2.6 µm + L/250 mm) *
Scale Resolution:	0.1µm
Optimum Temp Range:	18 - 22°C **
Operational Temp Range:	5 - 45°C
Table:	Granite
Table Load Capacity:	1500kg as standard. Options up to 6000kg
Max. Velocity Vector:	600mm/sec
Max. Acceleration Vector:	600mm/sec ²
Air Consumption:	100 l/min (3.53 cfm)
Required Air Pressure:	7 bar (100 psi)



*Maximum Permissible Error MPE_E according to 10360-2, 2009 within the thermal limits defined for optimum temperature range.

**Installation environment thermal limits:
Rate of change <1°C/hr and <2°C/24hr | Temperature gradient <1°C/m





Project X, has been updated with a new, green light, collimated under stage light. This significant improvement to the backlight illumination of deep cross-section or turned components creates a crisp silhouette of the profile being measured.

This clear contrast between light and dark ensures the automatic edge detection results in even better accuracy and repeatability of the part/features being measured.



Project X

ADVANCED VISION SYSTEM

Project X finally replaces the old technology of a profile projector. It is easier to use than a profile projector. It is quicker to use than a profile projector and it will deliver reliable, consistent inspections time after time. Project X is available as either a manual machine or with full CNC control.

Project X is different. It utilises a patented technology XY scale, that records not only X and Y position but also any rotational movement of the camera system. In addition, this is an absolute scale system, which means as soon as you switch on the machine it knows exactly where it is - no need for referencing. The camera is free to glide around the measurement area mounted on a simple air bearing system, without any worry about constraining the mechanics to avoid losing accuracy.

Components can be placed on a glass table and remain stationary, while the camera is moved around taking measurements above. There is no need to secure the component on the table as there would be on a moving stage machine.

Combine this simple mechanical structure, made possible by the revolutionary scale technology, with the Aberlink measurement software and you will soon understand why Project X is the standard for 2-dimensional measurement.

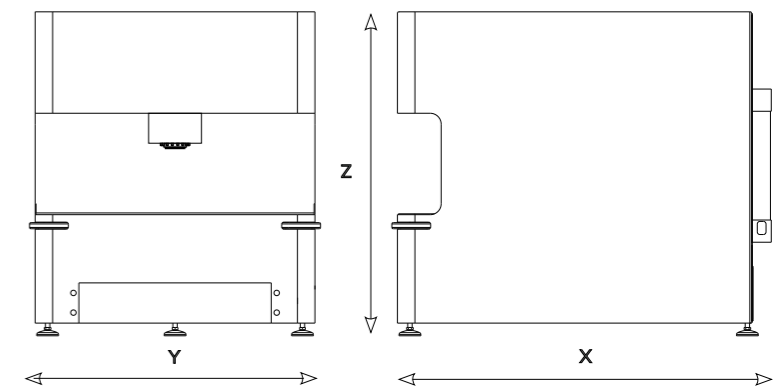
Key Features:

- High speed optical scanning - up to 5000 points/second
- Fully programmable digital zoom, no need to change lenses
- Powerful edge detection tools for maximum accuracy
- Aberlink's easy-to-use vision measurement software
- **Free software upgrades** - no maintenance fees or contracts



Technical Information:

Axis Travel (mm)	Overall Size(mm)	2D Accuracy
X 400	X 665	7.5µm
Y 300	Y 830	
Z 125 (focus only)	Z 746	
Stand Off (mm)	Field of View (mm)	Temp Range
125.0	10.0	18 - 22°C



Project X contains an integrated top light ring as well as back lighting



Free-standing bench option available



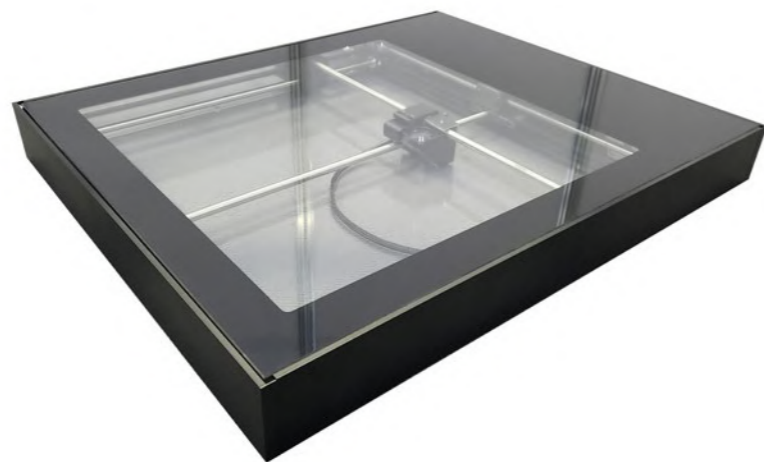
Glass graticule available for pixel calibration & measurement verification

CNC COLLIMATED LIGHT BACKLIGHTING SOLUTION

The all new CNC CMM collimated light enables backlight illumination of 3D or turned components when used with the CMM Camera System.

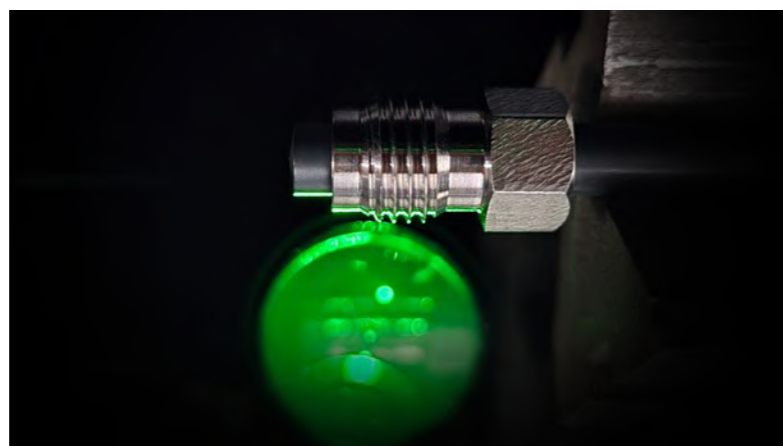
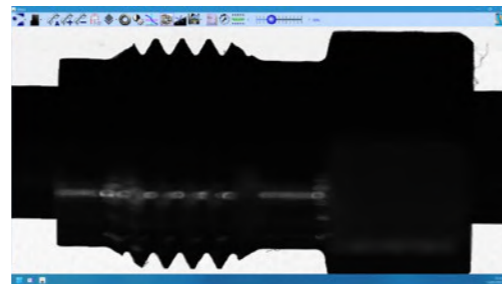
When using collimated light to backlight components, a clear and crisp silhouette, similar to using a profile projector, is produced. A single-LED collimated light, fully CNC controlled follows the quill movements making sure your components are always backlit.

The new and improved design is compatible with all of our cartesian CMMs and is fully programmable and controllable within Aberlink vision software.



Key Features:

- 300mm x 300mm measurement volume
- Automatically follows the quill, no additional movement controls needed.
- Can be placed anywhere on the granite table
- Easy replaceable top glass
- Compact, lightweight design
- Fully controllable through Aberlink 3D vision software



CMM AUTO-JOINT CAMERA AUTOMATIC CAMERA UPGRADE

Aberlink's auto-joint camera system offers a fully automatic non-contact facility on any cartesian Aberlink CMM. We have completely redesigned the Camera body so that it can be used with the PH10M and stored in the Renishaw MRS change rack via the Renishaw ACR3. The perfect accompaniment to our new CNC backlight.



CMM CAMERA MANUAL CAMERA UPGRADE

Aberlink's manual camera system offers a non-contact facility on any cartesian Aberlink CMM. A clever design of magnetic, kinematic joint allows the probe and camera to be swapped in just seconds. This means that components can be inspected using both touch trigger and vision inspection technology on the same machine.



Both Aberlink camera options incorporate a telecentric lens that gives a distortion-free image on the monitor. They also contain a fully programmable 16-LED light ring which contains alternate white and UV LEDs.

The white LEDs provide surface illumination in the normal manner while the UV LEDs provide an ingenious solution to the perennial problem of backlighting on a CMM - the component to be measured is simply placed on a plate containing special reflective paper or on our CNC backlight solution.

Key Features:

- Swap between touch probe and CMM camera in seconds
- Use touch and vision technology within the same inspection programme
- High precision edge detection for feature inspection
- Thread measurement - min/max/mean pitch, left/right angles, effective diameter
- Fully programmable digital zoom (no need to change lenses)
- Directional overhead lights and back light for profile and surface feature inspection
- Telecentric lens measures accurately even when the feature is out of focus

Specification:

- Sensor: 3 Mega-pixel high speed colour camera
- Resolution: 2048 x 1536 (QXGA)
- Stand off: min 125mm | max 1000mm (manually adjusted)
- Field Of View: min 9.5mm | max 125mm
- Pixel Size: min 4.8µm | max 48µm





Every bridge-type Aberlink CMM fully supports the range of probe heads and both touch trigger and scanning probes supplied by Renishaw. The following are common options:



TP8 Probe

The TP8 probe offers an entry level option for customers that require infrequent indexing of the probe and no indexing during the running of a measurement programme. The TP8 is supplied with two knuckle joints to allow infinite alignment of the probe to the feature being measured, but this alignment is non-repeatable, meaning that the stylus will need to be re-qualified following each index. The TP8 probe accepts the M3 range of styli.

MH20i Probe Head

The MH20i probe offers repeatable manual indexing of the probe head from 0° to 90° in the A axis and through 360° in the B axis, in 15° increments. Ideal for manual CMMs, it can also be used on CNC models, but will require intervention from the operator whenever indexing is required. The MH20i uses a TP20 stylus module, which in turn accepts the M2 range of styli.



RTP20 Probe Head

The RTP20 probe offers a really cost effective solution for customers that require automatic indexing on CNC machines. Modelled on the MH20i body, the RTP20 uses the CNC motion of the CMM to position itself using a post mounted to the bed of the machine. Like the MH20i it is able to index from 0° to 90° in the A axis and through 360° in the B axis, in 15° increments and uses a TP20 stylus module, which in turn accepts the M2 range of styli. The RTP20 is also fully compatible with the MCR20 change rack to provide an option that provides both automatic stylus changing as well as automatic indexing.

PH10T Probe Head

The PH10T is a fully motorised probe head that offers immediate indexing from 0° to 105° in the A axis and through 360° in the B axis, in 7.5° increments. This probe head should be used by customers requiring frequent indexing or when more precise alignment to the features being measured is required.

Common probe options for the PH10T:

TP20

The TP20 is a robust probe for general purpose measurement that can be used in conjunction with the MCR20 change rack to facilitate automatic stylus changing. The TP20 stylus modules can be supplied with different trigger forces which accept M2 styli up to 60mm long, and with different length modules to assist with probing at greater depths.

TP200

The TP200 probe utilises strain gauge technology and so does not exhibit lobing characteristics and therefore should be considered by customers requiring more accurate measurement of form. It can be used with the SCR200 change rack for automatic stylus changing and the TP200 modules are available as standard or low force for use with M2 styli up to 100mm long.



PH10T probe head fitted with TP20 probe

PH10M Probe Head

Like the PH10T probe head, the PH10M is also a fully motorised probe head that offer immediate indexing from 0° to 105° in the A axis and through 360° in the B axis, in 7.5° increments. The M head, however, incorporates an auto-joint with multiwire capability, which is necessary for the SP25M scanning probe. The PH10M probe head can also be fitted with either TP20 or TP200 probes and should be chosen in preference to the PH10T when using these probes if the future use of a scanning technology may be required.



PH10M with SP25M scanning probe

PH6M Probe Head

This head provides a fixed auto-joint for when an SP25M scanning probe is needed without the requirement for indexing.



PH6M with SP25M scanning probe

SP25M Scanning Probe

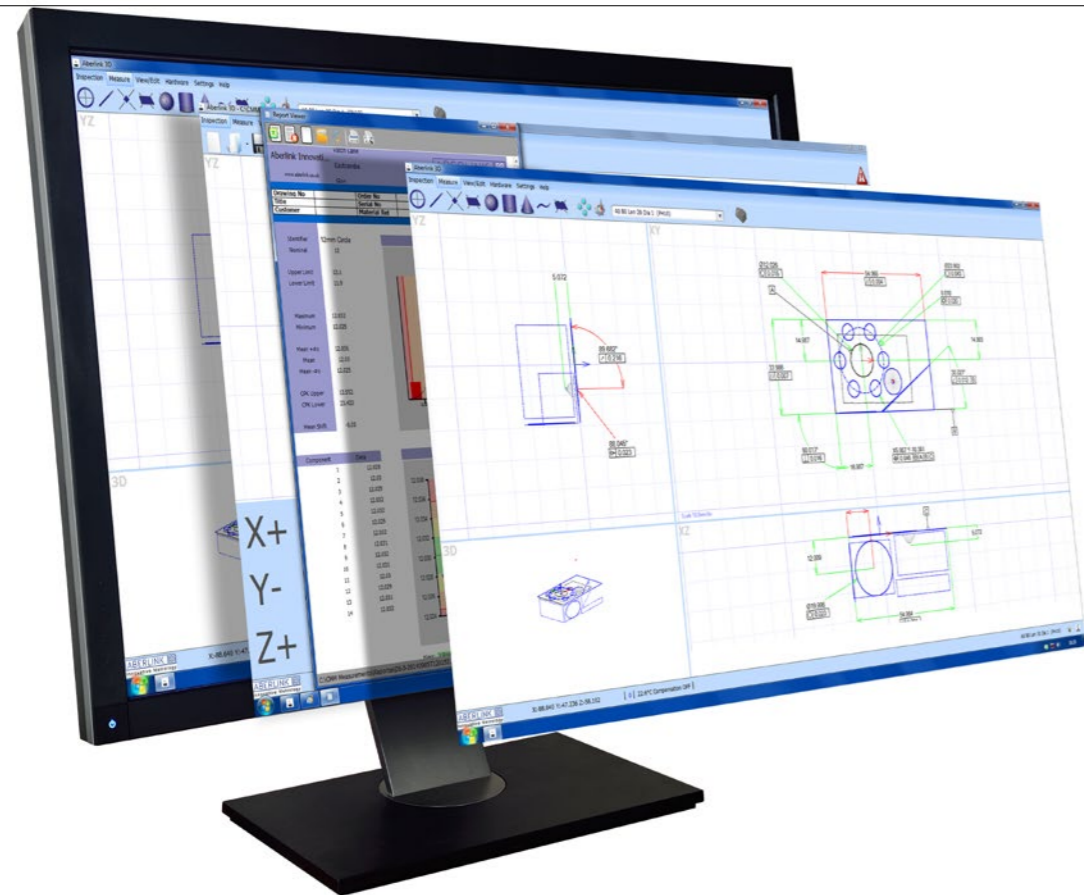
The SP25M scanning probe uses an isolated optical metrology transducer system to enable extremely accurate measurements to be taken with the stylus in continuous contact with the feature being inspected. This enables more data to be taken which is important when form is critical. A range of modules are available for the SP25M to provide optimized scanning performance using M3 styli up to 400mm long.

PH20 Probe Head

The PH20 5-axis probe head transforms your CMM capabilities, offering a wealth of advanced features compared to traditional 3-axis probing options. With the PH20, you'll experience increased throughput, accuracy, and repeatability. This is via rapid touch measurements, Infinite positioning, Inferred calibration and 5-axis motion during measurements



Probe Head Comparison	Integral Probe	Index Motion	Maximum Length	Index Resolution	Index Positions	Repeatable Indexing	Repeatable Stylus Changing
TP8	Yes	Manual	105mm	Infinite	Infinite	No	No
MH20i	Yes	Manual	150mm	15°	168	Yes	Yes
RTP20	Yes	Automated	168mm	15°	168	Yes	Yes
PH10T	No	Motorised	450mm	7.5°	720	Yes	Yes
PH6M	No	No	450mm	No	No	No	Yes
PH10M	No	Motorised	450mm	7.5°	720	Yes	Yes
PH20	Yes	Motorised	151mm	Infinite	Infinite	Yes	Yes



ABERLINK 3D

MAKING MEASUREMENT EASY

The whole philosophy for Aberlink is to make measurement easy. Aberlink 3D software has been written by engineers for engineers and sets the industry standard for simple-to-use software. Designed around a graphical interface, Aberlink 3D can work in 2D or 3D, on manual or CNC CMMs and is equally at home when used with either touch, scanning or vision systems. It is easy to understand why Aberlink 3D has become the software of choice not only for Aberlink, but for numerous other manufacturers of measuring devices around the world.

Aberlink 3D software is not only way ahead of its competition in being the industry standard for 'easy-to-use' software, but also has the depth of functionality to make it the choice for either occasional users or full-time inspection professionals.

Key Features:

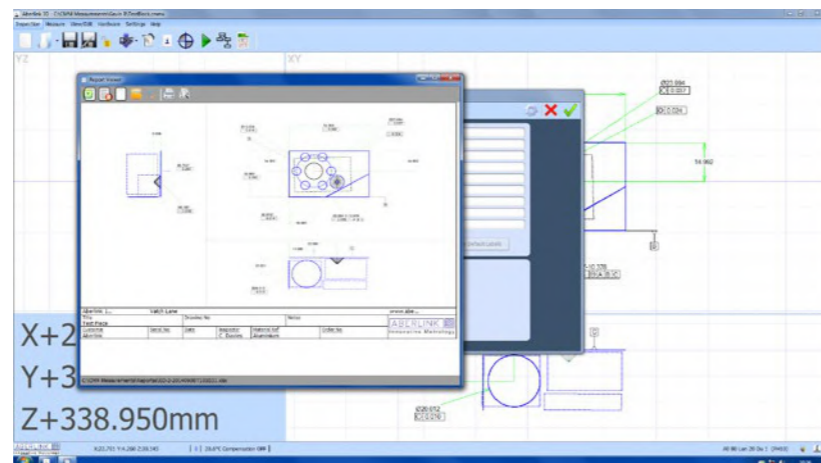
- Automatic measurement routines
- Powerful interactive graphics window
- Automatic feature recognition
- 2D and 3D manual and CNC inspection
- Geometric feature inspection
- Free form surface measurement
- DXF data import/export
- STEP and IGES export for reverse engineering
- Feature construction
- GD&T dimensions and tolerances
- RPS Alignment
- Leap frogging

Programme Tools:

- Teach & repeat programming
- Drag and drop programme editor
- Run programs from any point
- Measure a subset of features
- Simple object-based programming
- No complex programming language
- Automated batch inspection
- Password protect programmes
- Automatic safety moves
- Feature replicator
- Mirror imaging

Report Formats:

- Engineering drawing GD&T report
- Simple PASS/FAIL report
- Form plots
- Batch summary report
- Tabulated reports
- Graphical fly-out labels
- Drag & drop reporting
- Real-time SPC
- Combine multiple views
- Export to Excel
- Historical data reporting



Aberlink 3D software is revolutionary. As a component is measured a representation of it is built up on the screen. The user simply clicks on the measured features to call up dimensions exactly as they would appear on a drawing.

Inspection reports can be in the form of fully dimensioned graphical representations as created on the screen, or tabulated reports in various formats that can show nominals, tolerances, errors, pass/fails, geometric tolerances etc. These reports can also be output to an Excel spreadsheet.

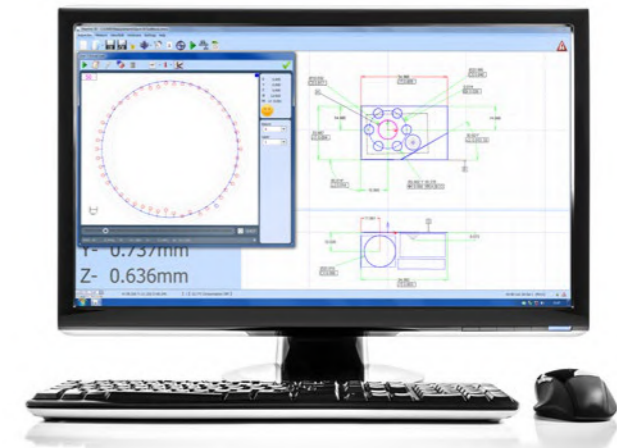
Further reports are available to show the form of features (roundness, straightness etc.), hole or point positions, or complete batch results on one report. The user's company name also appears on all outputs.

Every time a component is inspected, a programme for measuring subsequent components is automatically created. The software also calculates 'safe' moves between features, even when the probe is indexing – just another thing that the operator doesn't have to worry about!

Popular throughout the world and available in many languages, Aberlink's revolutionary measurement software provides the user with a powerful, yet easy-to-use solution for inspection measurements. This not only increases component throughput but vastly reduces the learning period for new users.

Every Aberlink 3D license also benefits from no annual subscription or maintenance fees and free software upgrades for life, hence minimal cost of ownership.

Welcome to cost-effective precision.



DID YOU KNOW?

Aberlink's revolutionary 3D software inspection package is available for CMM retrofits, vision systems, articulating arms and other metrology platforms

VISION SOFTWARE

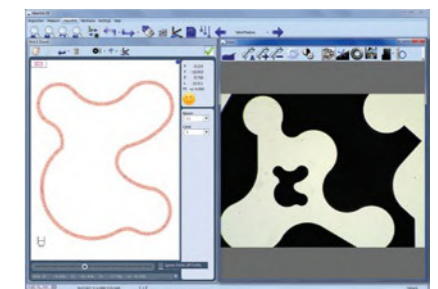
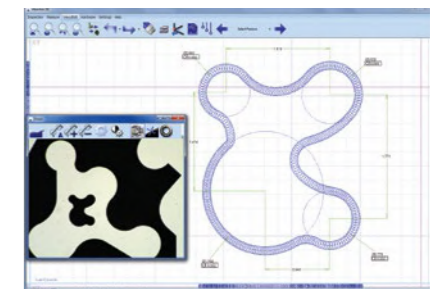
SOFTWARE MODULE

The Aberlink Vision software module allows Aberlink 3D software to be used for non-contact measuring. Fully automatic edge detection tools can be used in both manual and CNC mode ensuring fast and repeatable results without relying on the skill of the operator.

Powerful tools allow both geometric and complex shapes to be measured easily. Dimensions can either be called up by clicking on the measured features in the normal way, or alternatively measurement points can be best-fitted against a DXF file. As well as edge detection the operator may use either full cross hairs or mouse cross hairs with other advanced tools available including "smart measure", centre line detection, an "all edge points" function, a "thread measure" tool and a "screen ruler" for quick measurements between any two points on the image.

Key Features:

- Full colour video image
- CNC and manual machine controls
- Auto focus
- Digital Zoom
- Light intensity and direction
- Align to edge
- Automatic 2D profile scanning
- Scan geometric features
- Scan individual features
- Scan all visible features with a single mouse click
- Digitise 2D profiles - data export via DXF
- One-click feature measurement
- Smart auto-recognition & measurement

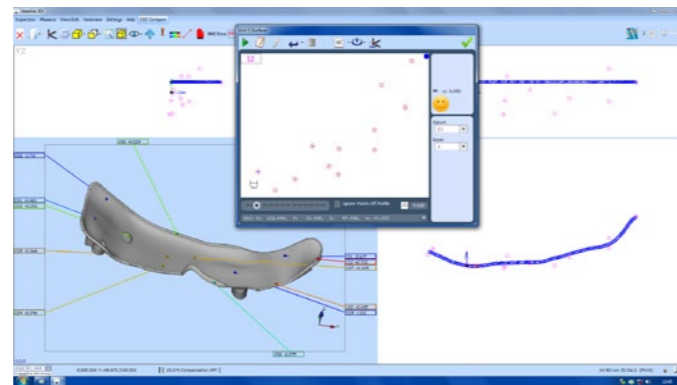
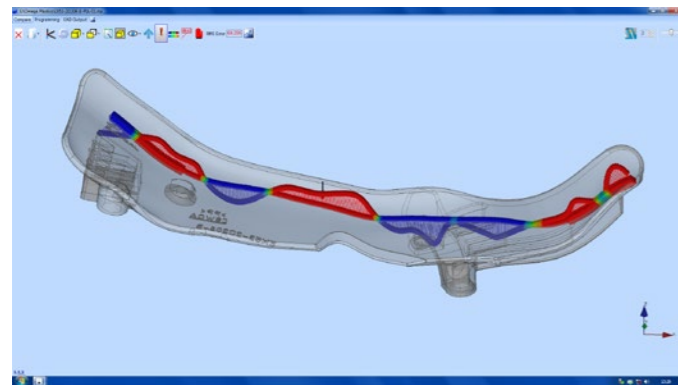
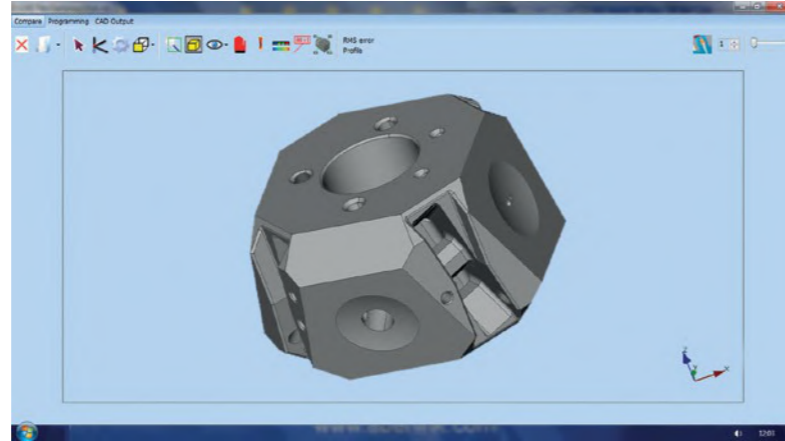


CAD COMPARISON SOFTWARE MODULE

The Aberlink CAD Comparison software module enhances Aberlink 3D with the capability to compare measured points to a CAD model. Often this will be the only way to measure complex parts, or perhaps sometimes drawings for the component simply don't exist.

Powerful alignment routines allow measurement points to be best-fitted to the model. Colour coded errors can then be displayed on the model to produce both graphical and tabulated reports that are extremely clear and very easy to understand.

Aberlink's CAD comparison module allows the input of either STEP or IGES files as standard and allows reports to be exported as an Excel spreadsheet. It really does make measuring complex parts easy, whether on a manual or CNC CMM.



CAD Formats

- IGES and STEP import and export
- DXF export
- Re-scale models
- Simple measurement of complex parts

Alignments

- Point cloud best-fit
- Feature best-fit
- Best-fit constraints
- Graphical and tabulated reports
- Export to Excel

Report Formats

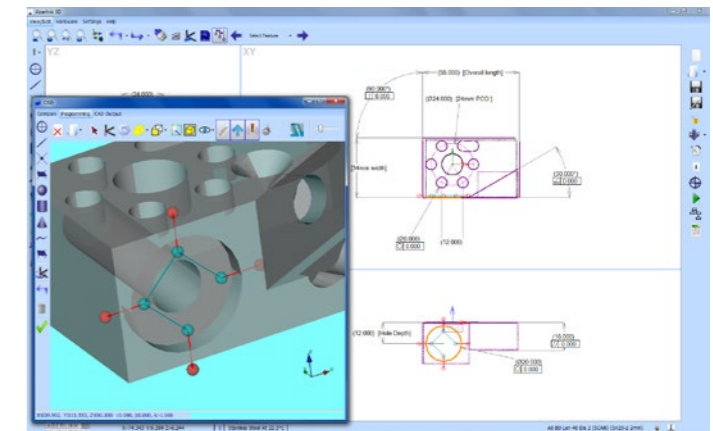
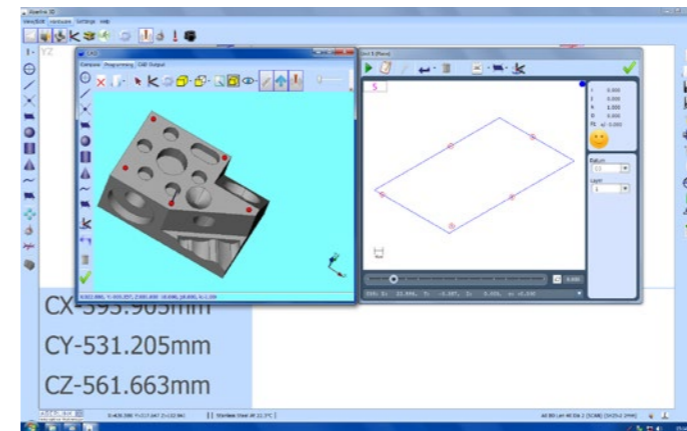
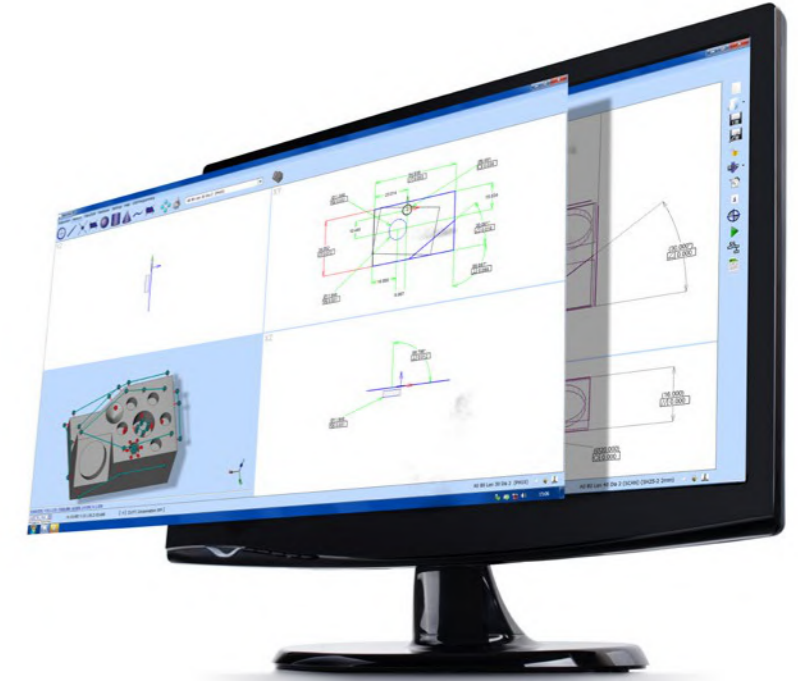
- On CAD fly-out labels
- Colour deviation whiskers
- Colour point markers
- Configurable colour options
- Combine multiple views
- Graphical and tabulated reports
- Export to Excel

PROGRAMMING FROM CAD SOFTWARE MODULE

For many years Aberlink 3D software has been setting the industry standard for both ease of use and speed of programming. However, until now this has been best done by using the teach-and-repeat method of programming when measuring a component. But what if you want to prepare the measurement programme before you even have the first component? Introducing our CAD Programming module, which in true Aberlink fashion, allows the simplest programming possible from either an IGES or STEP CAD model.

If you can use Aberlink 3D software then you will already know how to use the CAD Programming module – it couldn't be easier. Rather than taking measurement points on a component, you can now just click on the surface of the model where you would like the points to be taken.

Feature Predict works in the same way as when measuring. For instance, if you click in four places on the same plane on the model, then the software will automatically create a Plane Measure unit with those four points in it. Then click on a different feature and it will automatically close the plane window and look for another feature. If you click on a circular feature it will take just one click to produce a circle or two clicks for a cylinder. Suddenly programming in Aberlink 3D just got even easier!



DID YOU KNOW?

The Programming from CAD module allows programmes to be created away from the CMM so the machine is free to measure other parts. You don't even need a part to create a program - just the model.

ACCESSORIES

FURTHER CMM ENHANCEMENTS

CMM Touch Screen Joystick

The touch screen joystick gives you control of the Aberlink 3D inspection software and the 3-axis machine motion from an easy to operate handheld device.

The CMM touch screen joystick allows users complete control of the Aberlink 3D inspection software, clearly displayed through the unique joystick graphical user interface and high resolution touch sensitive screen - there is no need to interface with the PC. This is especially useful on larger CMMs when you need to stand over the part or around the back of the machine, to position the probe or clearly see probe measurements.

The colour touch screen joystick is invaluable when creating and running inspection programmes, enabling complete control of the X, Y and Z-axis machine movement, probe head indexing and machine status. You have complete control at your fingertips.

The touch screen joystick is supplied as standard with both the Horizon and Azimuth CMMs.



Industrial CMM Joystick

The industrial CMM joystick is a robust lower-cost version of the acclaimed CMM touch-screen joystick. It has full X-Y-Z axis motion control, X-Y-Z +/- direction measurement capability, feed rate override and the ability to insert Move Via points as required. The industrial joystick has been ergonomically designed for left or right handed operation, and includes a magnetic mount to enable quick placement on the CMM.

The industrial joystick is supplied as standard with Axiom, Extol and Halo CMMs.



Modular CMM Fixture Kit

The new generation of infinitely adjustable modular CMM fixture kits offer significant advantages over traditional fixture systems.



Designed and manufactured in house, our modular fixture kits provide infinite adjustment of the fixture components in multiple directions. Clamps, locators and supports can be placed in exactly the right position to suit the part. Greater flexibility results in less complicated designs, fixtures are easier to assemble and parts measured in less time.

The new modular fixture kit makes fixturing large parts simple, just slot an additional baseplate into the interlocking channels of another plate and secure with 2 M6 screws. This solution not only gives you more flexibility for fixturing a range of different sized parts but also means you don't have to have a heavy bulky plate on the surface of your CMM at all times.



Automation Interface Unit

The Aberlink automation interface adds the capability for Aberlink 3D programmes to be remotely controlled and monitored using an external system allowing any Aberlink CMM to be integrated with an automated component handling system, whether this be a fully controlled, PLC driven manufacturing system, a robotic loader or just an automatic bar feeder. The package comprises of an optically isolated digital I/O system and a software module that enables the software to be setup to follow a defined operating sequence to allow the automated operation.

The automation interface includes documentation and a software utility package, but because of the need to have detailed knowledge for the automated handling system for each installation, integration must be handled by the system integrator and cannot be supported by Aberlink.



Automatic Temperature Compensation

The Aberlink Temperature Compensation option enables your CMM to maintain accuracy in an uncontrolled environment, such as on the shop floor.

In an ideal world, your CMM would be installed in a perfectly temperature controlled room. However, in the real world of manufacturing, sometimes that isn't possible or practical because you need your CMM next to where your parts are being made.

A USB temperature sensor embedded in the bridge of the CMM provides feedback to compensate as though measurements have been taken at 20°C



CMM Care Kit

Improve your CMM Longevity & Accuracy, maintaining equipment by regular cleaning can save you time and money on break downs and extend the life of the equipment. The CMM care kit can help you maintain the following components of your CMM:

- **Granite surface table** - Planoclean is formulated not only to make the surface plates as clean as possible, but also to be as gentle as possible to our environment. Before the introduction of Planoclean, there were no alternatives on the market that could satisfy our high demands on quality and environmental consideration.
- **Slideways** - Cleanliness of the air bearing surfaces are essential for accurate results and smooth function of the machine. Did you know that dirt picked up on air bearings can introduce measurements errors? Air bearings are frictionless devices which rely on clean surfaces. Use Alcohol spray to leave dirt and smear free surfaces.
- **Scales** - These strips inform the software of the position of the machine with up to 0.0001mm resolution. Dirt built up on these devices can quite easily lead to sections of the scale not being read. A quick wipe with alcohol using a lint free cloth will ensure continued accurate CMM positioning.



Dual Monitor

The vertically mounted dual-monitor arm enables Aberlink CAD or Vision software modules to be viewed on a separate tilt-able screen to the Aberlink 3D inspection software.



Air Dryer

SMC IDFA series refrigeration air dryer - to ensure a good quality of air supply and maximise the performance and life of the CMM.



ABERLINK

Innovative Metrology



The largest UK-owned manufacturer of coordinate measuring machines with a distribution and sales network spanning over 40 countries Worldwide.

www.aberlink.com

Aberlink Ltd
Vatch Lane,
Eastcombe,
Gloucestershire
GL6 7DY
United Kingdom

T +44 (0) 1453 884461
E sales@aberlink.com

www.aberlink.com

