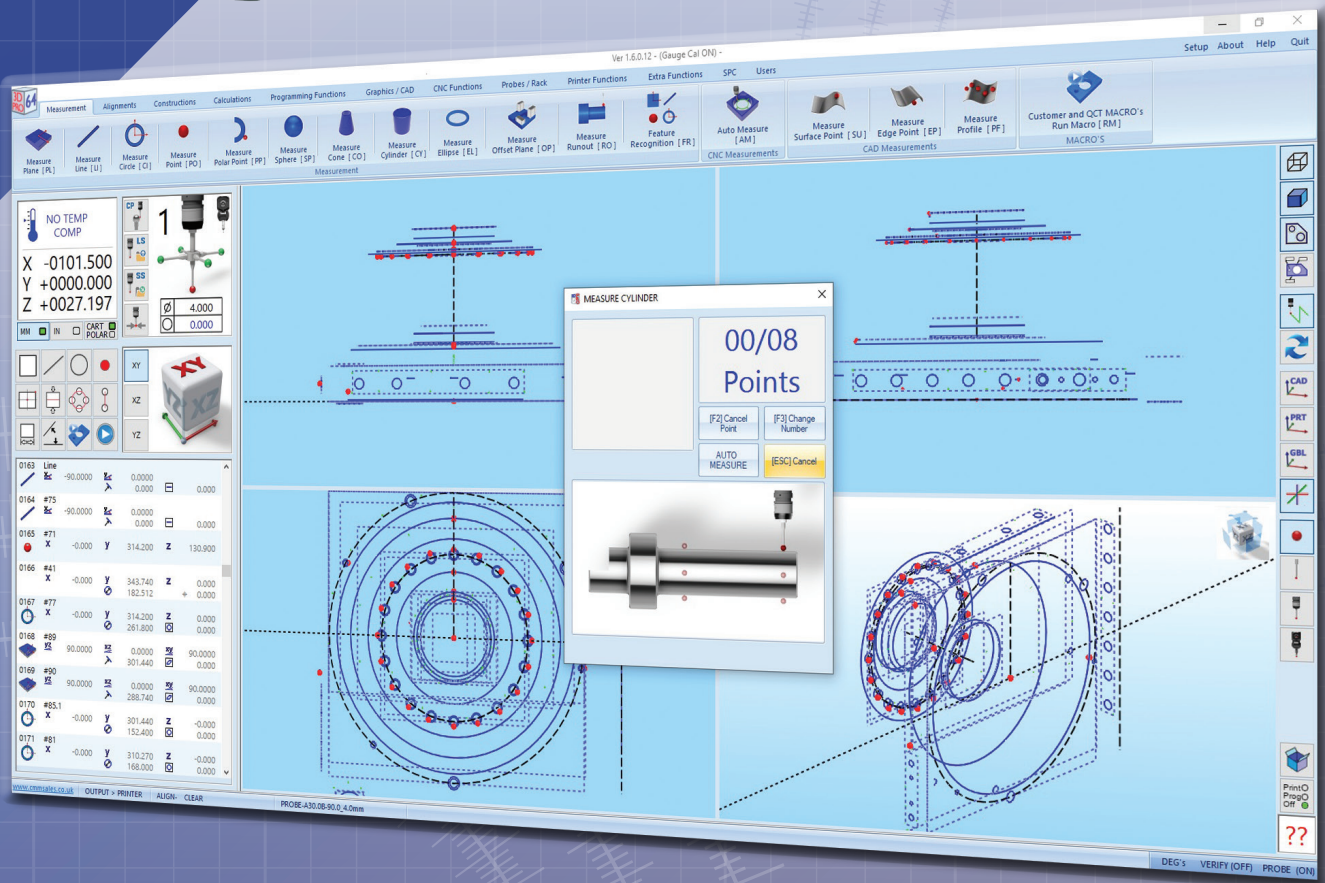


3D-Pro64

QCT's inspection software has been specifically designed to meet the requirements of today's CMM users. All built around an easy to use 3D graphical interface, the software is intuitive to learn for the new CMM user, but has the functionality required for the most demanding inspection requirements.

MEASURING SOFTWARE



3D-Pro64

Advanced 3D Geometric Measuring Software

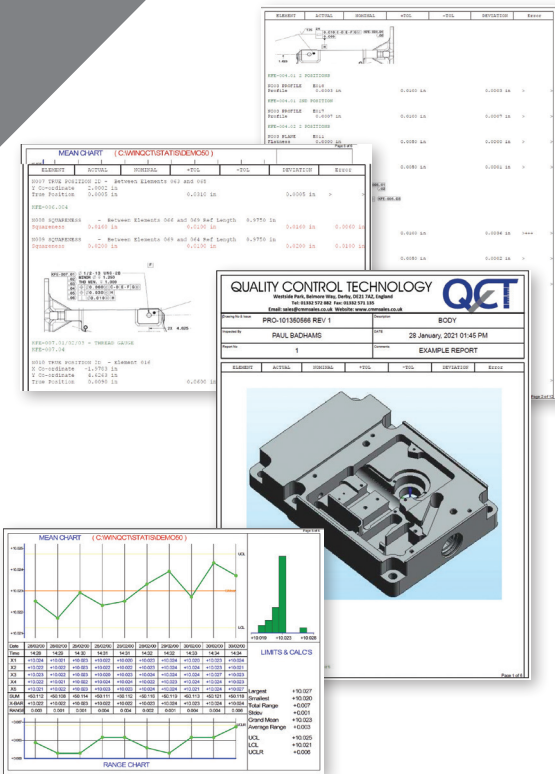
Add on modules available: **3D-Pro64(+CAD)** and **Offline-Pro64**

The **3D-Pro64** inspection software has been specifically designed to meet the requirements of today's CMM users, built around an easy to use 3D graphical interface, the software is intuitive to learn and quick to use for all levels of CMM operator. Software functionality exceeds that required for the most demanding of inspection requirements, whether it is for the Aerospace, Automotive, Medical or Precision Engineering workshop, the software offers up-to-date technology for all your measuring needs.

3D-Pro64 is very user friendly, allowing for quick one off inspection or more detailed program writing for multi batch inspection. During the measurement process an interactive graphical image is created allowing for quick identification of dimensions and calculations.

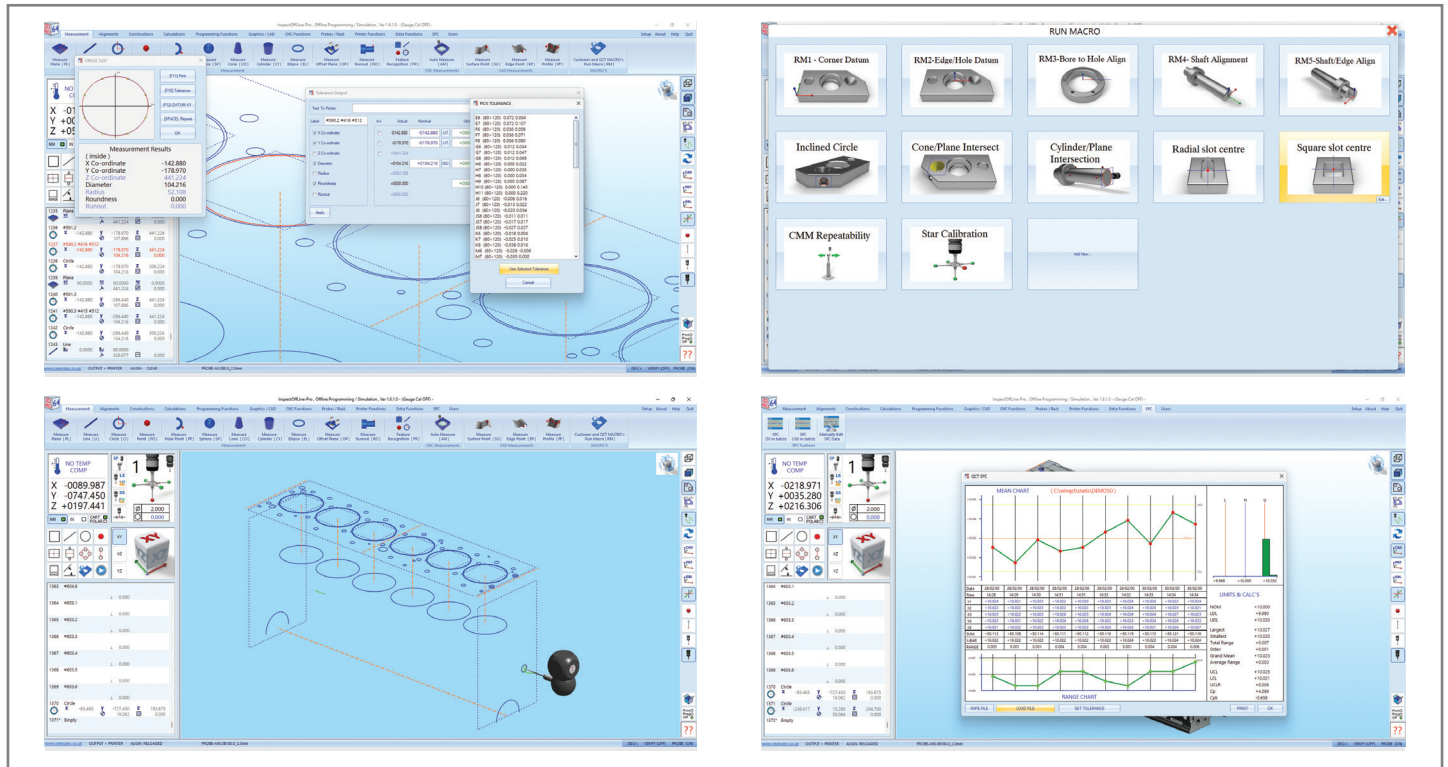
The graphical image can be exported out with tolerance labels or a more detailed text report produced and exported in Excel or PDF output. QCT's ongoing program of software support and updates means that your machine will never be out of date. 3D-Pro64 software updates and support are free when you use QCT for the annual service and calibration of your CMM.

Upgrade options available: **3D-Pro64(+CAD)** and **Offline-Pro64**



FEATURES

- Intuitive to use yet powerful
- Graphical component display
- GD&T Calculations
- Report exported to Excel/PDF
- Geometric measurements
- Element constructions
- Best Fit alignments
- Calculations from graphics
- Teach / learn facility
- Online editing
- Auto feature recognition
- User defined macros
- Online reporting
- Reverse engineer to DXF / IGES
- SPC charting
- Pipe measurement



T: 01332 572 882 E: sales@qctderby.co.uk www.cmmsales.co.uk

QUALITY CONTROL TECHNOLOGY LIMITED

Westside Park | Belmore Way | Derby | DE217AZ

All specifications listed in the brochure are subject to change without notice